

323757 ✓ ACTIVE

STRATO-THERM DIAMOND GRIP

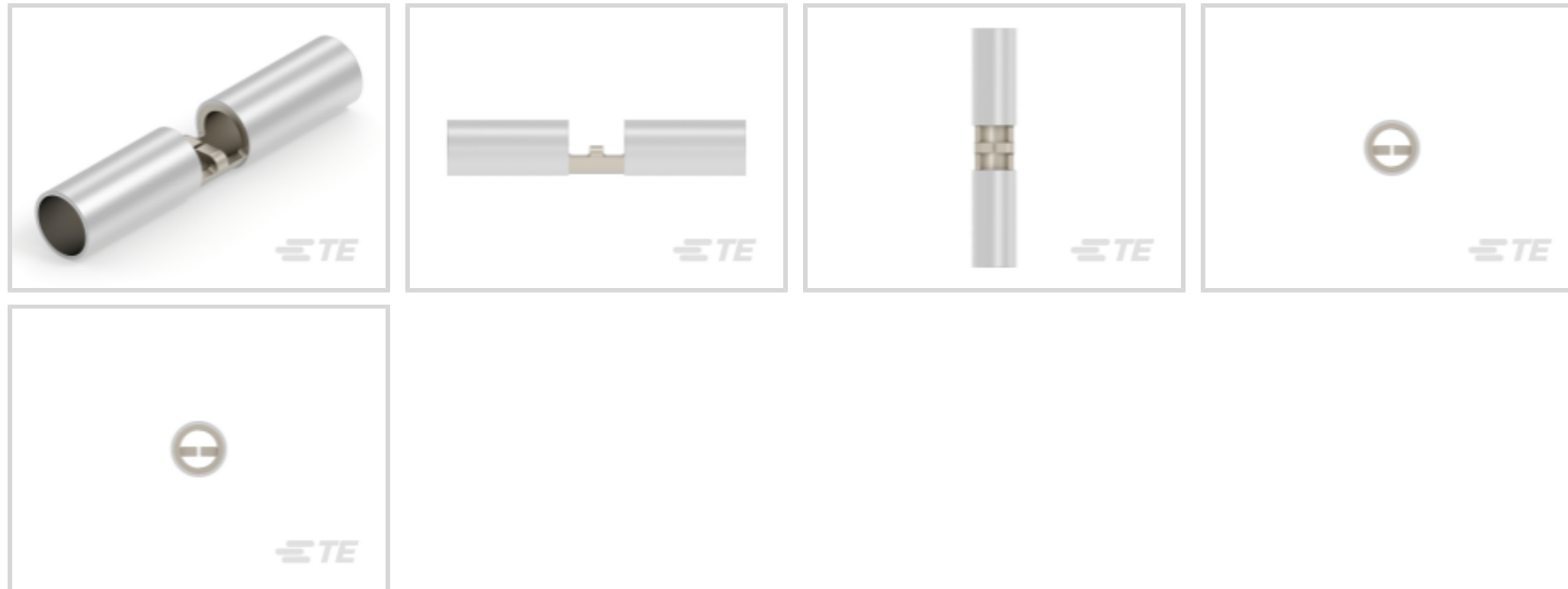
TE Internal #: 323757

Splices, 12 – 10 AWG Wire Size, 2.62 – 6.64 mm² Wire Size, Strap,
5.18 – 13.1 kcmil Wire Size, 5180 – 13100 CMA Wire Size, STRATO-
THERM DIAMOND GRIP

[View on TE.com >](#)



Terminals & Splices > Splices



Wire Size: 2.62 – 6.64 mm²

Sealable: No

Splice Features: **Strap**

Accepts Wire Insulation Diameter Range: 5.58 mm [.22 in]

Features

Product Type Features

Sealable	No
Splice Type	Butt Splice
Serrated	Yes
Compatible With Discrete Wire Type	Stranded
Wire Insulation Support Retention Type	Insulation Support

Configuration Features

Compatible With Wire & Cable Type	Discrete Wire
-----------------------------------	---------------

Body Features

Weight per Piece	3.913 g
Plating Material	Nickel
Splice Features	Strap
Primary Product Material	Copper

Contact Features

Barrel Type	Closed
-------------	--------



Mechanical Attachment

Wire Insulation Support	With
-------------------------	------

Dimensions

Wire Size	5180 – 13100 CMA
Accepts Wire Insulation Diameter Range	5.58 mm[.22 in]
Overall Product Length	32.02 mm[1.261 in]

Usage Conditions

High Temperature Rating	343 °C[650 °F]
Insulation Option	Uninsulated
Operating Temperature Range	343 °C[650 °F]

Operation/Application

Heavy Duty	No
Compatible With Wire Base Material	Copper

Industry Standards

Government Qualified Splice	No
-----------------------------	----

Packaging Features

Packaging Quantity	500
Packaging Method	Loose Piece

Other

Military Category	No
-------------------	----

Product Compliance

[For compliance documentation, visit the product page on TE.com>](#)

EU RoHS Directive 2011/65/EU	Compliant
EU ELV Directive 2000/53/EC	Compliant
China RoHS 2 Directive MIIT Order No 32, 2016	No Restricted Materials Above Threshold
EU REACH Regulation (EC) No. 1907/2006	Current ECHA Candidate List: JUNE 2022 (224) Candidate List Declared Against: JAN 2022 (223) Does not contain REACH SVHC
Halogen Content	Low Halogen - Br, Cl, F, I < 900 ppm per homogenous material. Also BFR/CFR/PVC Free

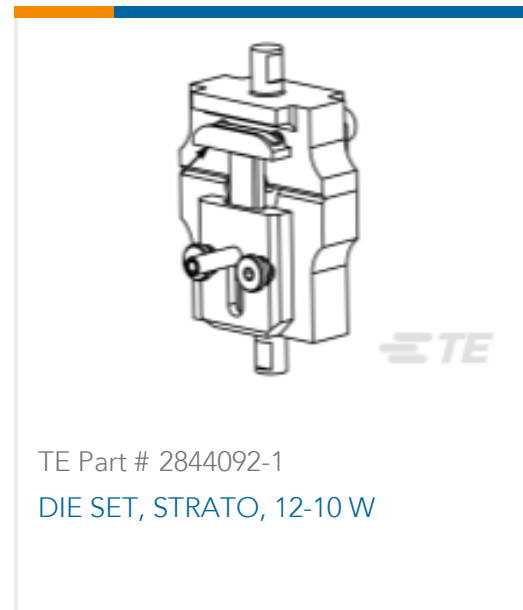
Solder Process Capability

Not applicable for solder process capability

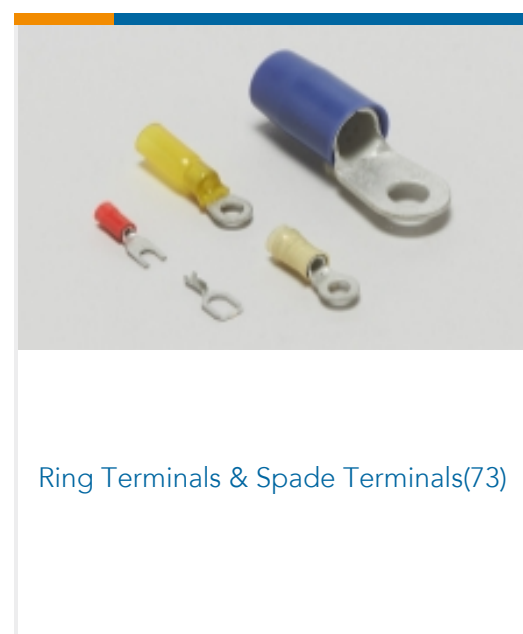
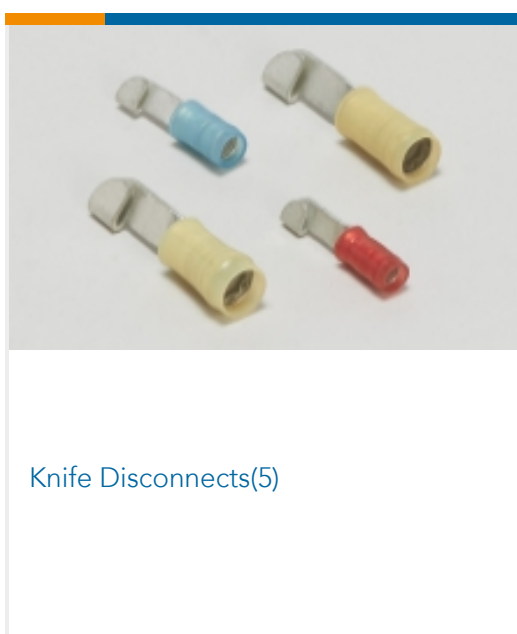
Product Compliance Disclaimer

This information is provided based on reasonable inquiry of our suppliers and represents our current actual knowledge based on the information they provided. This information is subject to change. The part numbers that TE has identified as EU RoHS compliant have a maximum concentration of 0.1% by weight in homogenous materials for lead, hexavalent chromium, mercury, PBB, PBDE, DBP, BBP, DEHP, DIBP, and 0.01% for cadmium, or qualify for an exemption to these limits as defined in the Annexes of Directive 2011/65/EU (RoHS2). Finished electrical and electronic equipment products will be CE marked as required by Directive 2011/65/EU. Components may not be CE marked. Additionally, the part numbers that TE has identified as EU ELV compliant have a maximum concentration of 0.1% by weight in homogenous materials for lead, hexavalent chromium, and mercury, and 0.01% for cadmium, or qualify for an exemption to these limits as defined in the Annexes of Directive 2000/53/EC (ELV). Regarding the REACH Regulation, the information TE provides on SVHC in articles for this part number is based on the latest European Chemicals Agency (ECHA) 'Guidance on requirements for substances in articles' posted at this URL: <https://echa.europa.eu/guidance-documents/guidance-on-reach>

Compatible Parts



Also in the Series | STRATO-THERM DIAMOND GRIP



Documents

Product Drawings

DIAMOND GRIP 12-10 HR BUTT

English

CAD Files

3D PDF

3D

Customer View Model

[ENG_CVM_CVM_323757_H.2d_dxf.zip](#)

English



Customer View Model

[ENG_CVM_CVM_323757_H.3d_igs.zip](#)

English

Customer View Model

[ENG_CVM_CVM_323757_H.3d_stp.zip](#)

English

By downloading the CAD file I accept and agree to the [Terms and Conditions](#) of use.

Datasheets & Catalog Pages

[STRATO-THERM Terminals & Splices for High Temperature Applications](#)

English

Product Specifications

[Application Specification](#)

English